

TECHNICAL

DATA

Tampon Printing Machine		Vario 90	Vario 130
Article number	1 colour	01 00 16	01 00 17
	**2 colours	01 00 28	01 00 29
Single cycle		Yes	Yes
Multiple printing		Yes	Yes
Continuous run		Yes	Yes
Piece counter		Yes	Yes
Speed control infinitely variable		Yes	Yes
Ink/doctoring cup	∅ in mm	90	130
Variable doctoring contact pressure		Yes	Yes
Cycles/hour		up to 1,200	up to 1,200
Cliché size	mm	100 x 215	150 x 300
Print image diameter	max. ∅ in mm	85	125
Tampon stroke onto workpiece	mm	20 - 100	20 - 100
Tampon stroke onto cliché	mm	20 - 100	20 - 100
Tampon installation height	max. mm	118	118
Printing pressure	N	max. 2,200	max. 2,200
Drive		electro-pneumatic	electro-pneumatic
Control		PLC	PLC
Connected load	kW	0.5	0.5
Connected supply voltage		230 volts / single-phase	230 volts / single-phase
Control voltage	V/DC	24	24
Air consumption/cycle	NL	11	11
Pneumatic supply fine filter 5 µm	bar	6	6
Depth	mm	1,110/1,060*	1,110/1,060*
Width 1-/2-colour machine without tampon cleaning	mm	484 /504*	484 /504*
Height	mm	1,510/633*	1,510/633*
Weight	kg	190/120*	* 190/120*

* bench model

Scope of supplies:

- Toolkit
- Paper cups / x 10
- 1 brush
- 1 spray bottle, 500 ml
- 1 assembly table (2**)
- 1 pair gripping tongs (2**)
- 1 ink/doctoring cup (2**)
- 1 thrust collar (2**)
- 1 tampon coupling (2**)
- 1 tampon, 6 Shore, quality 3 (2**)
- 1 foot switch
- Documentation

Options:

- (TT) Bench model
 - (TE) Built-in model
 - Modification kit from ∅ 90 to ∅ 130 mm
 - Modification kit from ∅ 130 to ∅ 90 mm
 - 2-colour design (additional ink/doctoring unit)
 - Left/right tampon cleaning system
 - x/y cross table
- For parts transport we offer:**
- Linear axis
 - "T2" or "T4" index table



Dealers:

TAMPOPRINT® AG

Lingwiesenstraße 1 • D-70825 Korntal-Münchingen, Germany
 Phone: +49 7150 928-0 • Fax: +49 7150 928-400
 E-mail: info@tampoprint.de • www.tampoprint.de

TAMPOPRINT® INTERNATIONAL CORP.

Corporate Headquarters USA
 1400 - 26th street, Vero Beach, Florida 32960
 Phone: +1 772 778 8896, 800 810 8896
 Fax: +1 772 778 8289
 E-mail: sales@tampoprint.com • www.tampoprint.com

TAMPOPRINT® S.A.R.L.

13, allée de Provence, B.P. 29
 F-38295 Saint Quentin Fallavier Cedex, France
 Phone: +33 474 955-285 • Fax: +33 474 955-261
 E-mail: info@tampoprint.fr • www.tampoprint.fr

TAMPOPRINT® IBERIA S.A.U.

c/Caspe 127-135 local B • E-08013 Barcelona, Spain
 Phone: +34 93 2327161 • Fax: +34 93 2471500
 E-mail: tampoprint@tampoprint.es • www.tampoprint.es



The reproduction of trademarks and brands used in this brochure, even if not explicitly expressed, does not justify the assumption that such names or symbols may be considered as free as defined by the trademark law and may therefore freely be used. The rights are property of the respective owner.

TAMPOPRINT products are permanently updated to keep pace with the latest technological developments. For this reason, figures and descriptions are non-binding.

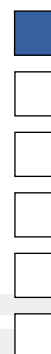
Subject to alterations!

VARIO

90 / 130



TAMPON PRINTING MACHINES



Variable application with Ø 90 or Ø 130 mm doctoring cup

Variable application as single-colour or 2-colours machine

Ideal for use with large tampons

Pneumatic doctoring cup clamping

ORIGINAL

TAMPOPRINT

Tampon Printing Machines
ALFALAS® Laser Systems
Automations
DMD® Industrial Ink-Jet Systems

VARIO 90 / 130

PORTRAIT



"Vario 90/130"



"Vario 90/130"

Good investment security

The "Vario" machine series with its ink/doctoring system is something of a special feature of the TAMPOPRINT machine range.

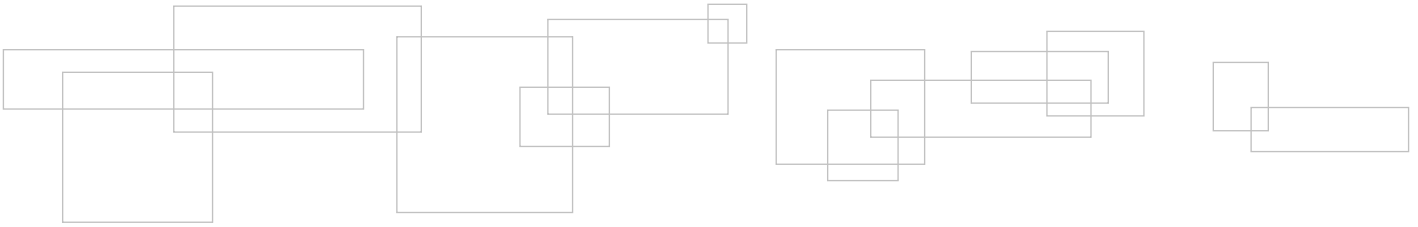
Both the lockable ink cup/doctoring cups and their contact pressures are pneumatically controlled.

A single-colour basic machine can become a 2-colour machine if a second doctoring unit is retrofitted.

The optional tampon shifting unit available with a 2-colour machine permits a printing process with only one printing position and/or with 2 printing positions thanks to the use of transfer systems.

Ink cup/doctoring cup diameter is also variable, whether from 90 to 130 mm or vice versa. Retrofits are also possible for the "Vario".





What it can do

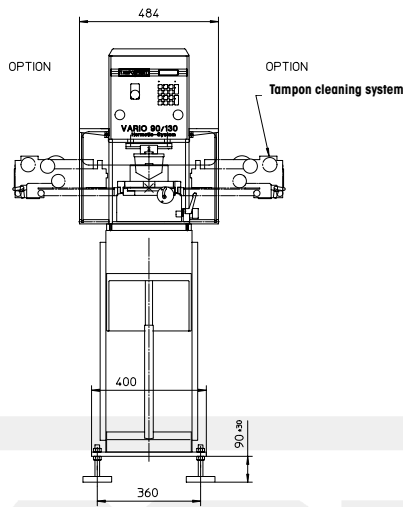
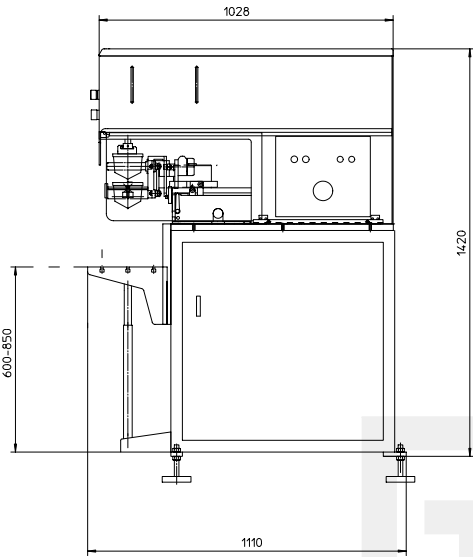
A tampon cleaning system can be fitted either on the right or on the left of a single-colour machine.

Tampon cleaning systems are fitted both on right and on the left of a 2-colour machine.

The "Vario" is a real favourite with TAMPOPRINT customers as a result of the option of working with very large tampons, among other things.



"Vario 90/130" 2-colour design with tampon shifting unit



Simple processing

The sealed ink/doctoring system developed by TAMPOPRINT has proven itself thousands of times and guarantees reliability. It can be used for a multitude of industrial applications.

For example, the "Vario" doctoring unit can be used in production lines with the machine.



"Vario" doctoring unit